

# NEWSLETTER 006-2010

## 2A / 52kHz Buck Switching Regulator – TS2580CS

### SOP-8



### Ordering Information:

- TS2580CS RL

### Typical Applications:

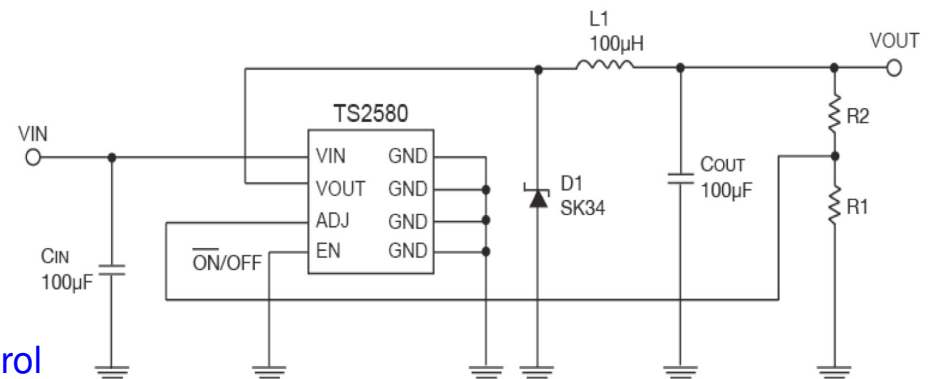
- Charger
- Portable HD
- Simple High-Efficiency
- Step Down Regulator

*New Release*

### Features:

- Input Voltage Range 4.5V~40V
- Output Voltage Range 1.23V~37V
- 52kHz Fixed Switching Frequency
- Output Current up to 2A
- Current Limit, Enable Function
- Short Circuit Protection (SCP)
- ON/OFF Shutdown Control Input
- Voltage Mode Non-Synchronous PWM Control
- Built-in Internal Soft-Start
- Low Power Standby Mode

### Typical Application Circuit:



$$V_{OUT} = V_{REF} \left( 1 + \frac{R2}{R1} \right) \quad \text{Where } V_{REF} = 1.23V$$